



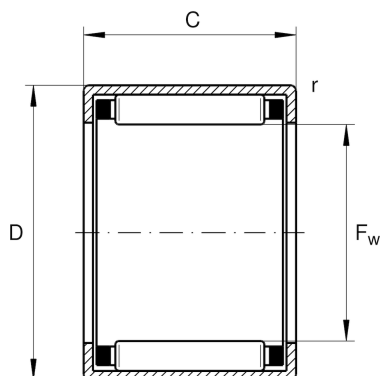
HK2820

Drawn cup needle roller bearing open end

Schaeffler ID:
0066660600000

Drawn cup needle roller bearings with
open ends HK, to DIN 618/ISO 3245

Technical information



Main Dimensions & Performance Data

F_w	28 mm	Under roller diameter
D	35 mm	Outside diameter
C	20 mm	Width
C_r	20,900 N	Basic dynamic load rating, radial
C_{0r}	36,000 N	Basic static load rating, radial
C_{ur}	4,700 N	Fatigue load limit, radial
n_G	9,200 1/min	Limiting speed
$n_{G \text{ Grease}}$	5,500 1/min	Limiting speed for grease lubrication
n_{gr}	6,700 1/min	Reference speed
	36.385 g	Weight

Dimensions

	SD28X35X4	Sealing ring
C_1	20 mm	Width, outer ring
r_{min}	0.8 mm	Minimum chamfer dimension
	G28X35X4	Sealing ring 2
	LR22X28X20,5	Suitable inner rings LR
	IR22X28X20-XL	Suitable inner rings IR

Temperature range

T_{min}	-30 °C	Operating temperature min.
T_{max}	140 °C	Operating temperature max.